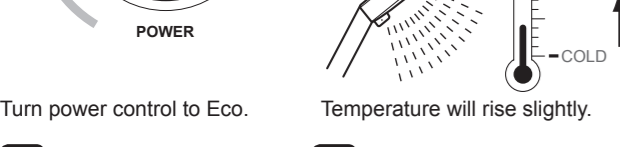


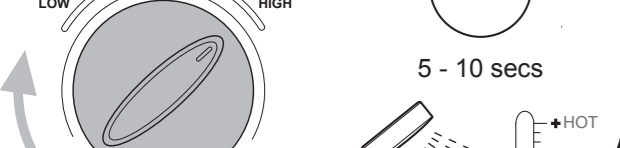
COMMISSIONING (CONTINUED)



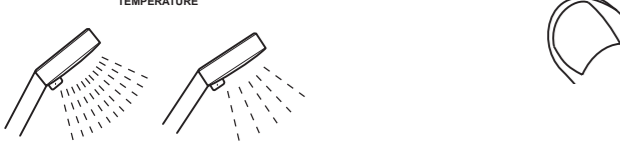
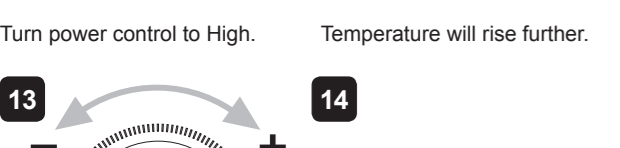
Turn power control to Eco. Temperature will rise slightly.



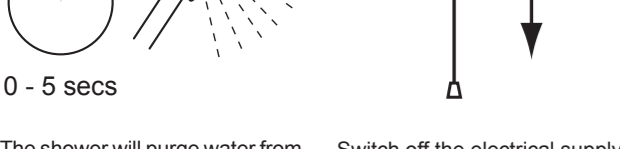
Turn power control to High. Temperature will rise further.



Adjust temperature as required. Push START/STOP button. Light Flow rate will adjust automatically. in the button goes out.



0 - 5 secs



The shower will purge water from its tank for a few seconds.

Note! A slight hissing sound may be heard from the shower during operation. High mains water pressure and high shower temperatures will affect the tone. This is quite normal in use.

FAULT DIAGNOSIS

Warning! There are no user serviceable components beneath the cover of the appliance. In the event of a malfunction of the shower, the troubleshooting information below provides details on possible causes and remedies that may be carried out by qualified, competent personnel. Non-qualified personnel should refer to the fault diagnosis section in the users guide.

Symptom	Start/ Stop Light is ON or OFF	Power Control Position	Possible Cause	Possible Remedy
Shower fails to operate	OFF	ANY	Isolator switch in the off position.	Switch on electrical supply via the pulcord or wall mounted switch.
	OFF	ANY	Fuse blown or MCB/RCD tripped, indicating possible electrical fault.	Renew the fuse or reset the MCB/RCD. If fault persists, contact your installer.
	OFF	ANY	Service tunnel or cover not fitted correctly causing Start/ Stop button to not operate.	Check case inserts are cut and fitted correctly. Check services (electrical or plumbing) are not interfering with location of service tunnel or cover.
Shower cycles from hot to cold.	ON	ECO/ HIGH	Showerhead blocked.	Remove and descale showerhead.
	ON	ECO/ HIGH	Hose kinked or blocked.	Check hose and replace if necessary.
	ON	ECO/ HIGH	Water pressure below minimum required for shower operation.	Make sure incoming mains water stopcock and/or shower isolating valve is fully turned on.
	ON	ECO/ HIGH	Temperature control or power control setting too high.	Turn the power control to Eco or turn the temperature control until a cooler temperature is achieved.
Unable to select a cool enough shower.	ON	ECO/ HIGH	Due to the rise in mains water supply temperature, the power control setting may be too high.	Turn the power control to Eco or turn the temperature control until a cooler temperature is achieved.
Showerhead dripping.	OFF	ANY	Insufficient water supply pressure for shut off.	Minimum static pressure to ensure shut off and prevent dripping is 20 kPa (0.2 bar). Note! If other appliances are operating, static pressure may drop below 20 kPa (0.2 bar). Contact local water company.
	OFF	ANY	Flow valve faulty.	Replace flow valve.
Low or no flow.	ON	ANY	Water supply pipework or inlet filter restricted by a blockage or partial blockage.	Flush supply pipe. Clean inlet filter. (Continued)

Symptom	Start/ Stop Light is ON or OFF	Power Control Position	Possible Cause	Possible Remedy
(Continued)	ON	ANY	Insufficient water supply pressure/flow for operation.	Contact local water company. Supply pressure must be a minimum of 70 kPa (0.7 bar). Note! If other appliances are operating, pressure may drop below 70 kPa (0.7 bar).
	ON	ANY	Flow valve faulty.	Replace flow valve.
	ON	ANY	Heater tank excessively scaled.	Replace heater tank. In hard water areas consider the use of a water softener.
	ON	ANY	Showerhead blocked.	Remove and descale showerhead.
	ON	ANY	Hose kinked or blocked.	Check hose and replace if necessary.
	ON	ANY	Other outlets (e.g. Toilet, garden hose, washing machine, etc.) drawing water while the shower is in use.	Turn off other appliances whilst shower is in use.
Operation of Temperature Control has little or no effect on water temperature.	ON	ECO/ HIGH	Shower head blocked.	Remove and descale showerhead.
	ON	ECO/ HIGH	Hose kinked or blocked.	Check hose and replace if necessary.
	ON	ECO/ HIGH	Flow valve faulty.	Replace flow valve.
	ON	ECO/ HIGH	Heater tank failure.	Replace heater tank.
No change in temperature between Low / Eco / High setting.	ON	ANY	Microswitch failure.	Replace microswitch.
	ON	ANY	Insufficient mains water pressure.	Contact local water company.
	ON	ANY	Possible failure of flow valve, microswitch or heater tank.	Use a suitable device to check the continuity of the microswitch or heater tank and replace parts as necessary.
Water will not turn off.	OFF	ANY	Flow valve, solenoid or Start / Stop switch faulty.	Replace as necessary.
Shower fails to produce hot water when set on Eco / High setting.	ON	ECO/ HIGH	Insufficient water supply.	Contact local water company.
	ON	ECO/ HIGH	Possible failure of the microswitch or thermal switch.	Use a suitable device to check the continuity of the microswitch or heater tank and replace parts as necessary.

Symptom	Start/ Stop Light is ON or OFF	Power Control Position	Possible Cause	Possible Remedy
Water leaks from the bottom of the case and there is no flow from the showerhead.	OFF	ANY	Hose kinked or blocked.	Check hose and replace if necessary.
	OFF	ANY	The PRV has been triggered, (the shower has a pressure relief valve assembly to reduce damage if the outlet is blocked or the shower is frozen). When the relief valve operates a small rubber ball is ejected.	Replace heater tank.

SERVICING

WARNING
There are no user serviceable parts inside the shower.
Servicing of the shower must only be carried out by qualified, competent personnel following the instructions provided in this guide and those provided with any spare part.

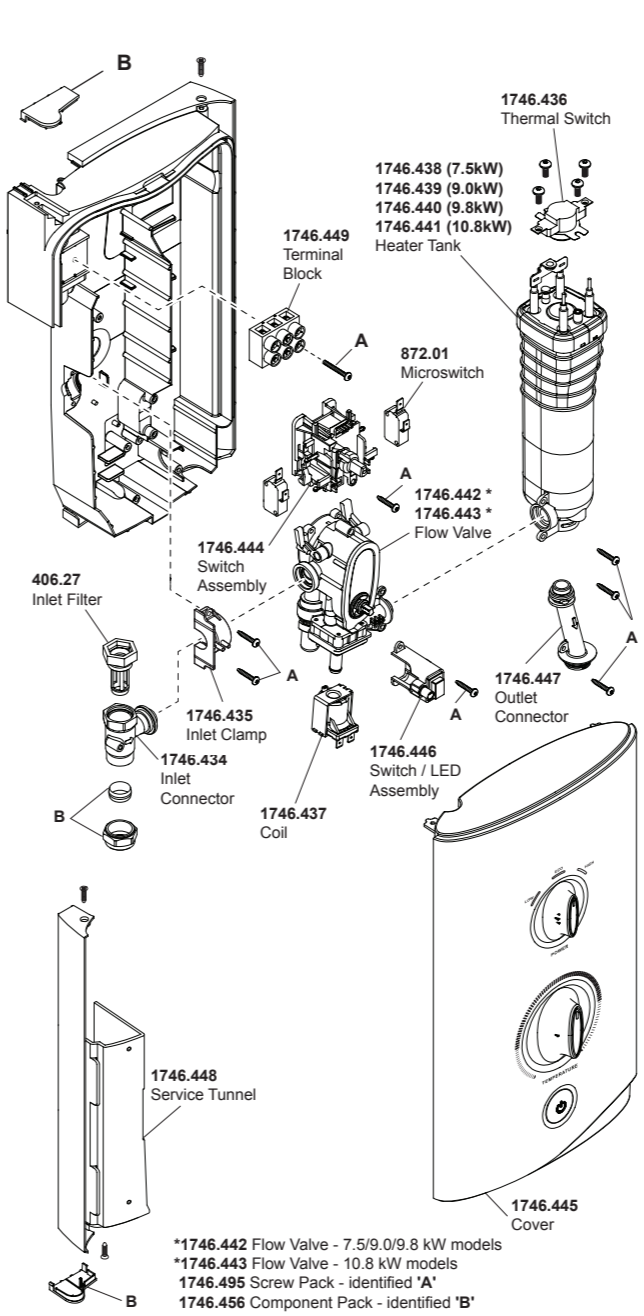
Before replacing any parts, ensure that the underlying cause of the malfunction has been resolved.

Cleaning the Inlet Filter

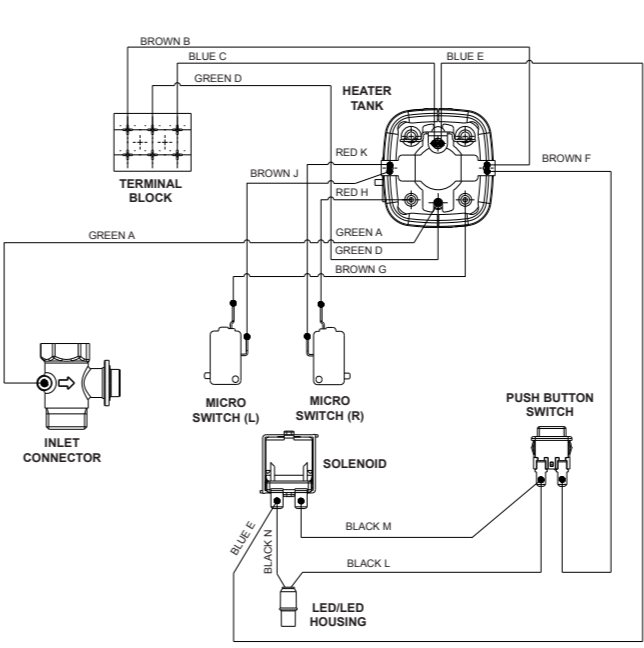
Warning! Isolate the electrical and water supplies before removing the cover.

- Remove the shower hose. **Note!** Retain the hose washer for further use.
- Remove the three screws that hold the cover on the shower and remove the cover.
- Remove the service tunnel from the shower.
- Use a suitable spanner to remove the filter from the inlet connector assembly. Hold a wrench across the flats of the inlet connector assembly to prevent damage to the connector, whilst removing the filter.
- Remove the filter and rinse under a running tap to remove any lodged particles. If necessary, use a kettle descaler in accordance with the manufacturer's instructions.
- Refit the components in reverse order.

SPARE PARTS



WIRING DIAGRAM



CUSTOMER SERVICE

Guarantee
Your product has the benefit of our manufacturer's guarantee which starts from the date of purchase. To activate this guarantee, please return your completed registration card, visit our website or free phone 0800 0731248 within 30 days of purchase (UK only).
Within the guarantee period we will resolve defects in materials or workmanship, free of charge, by repairing or replacing parts or product as we may choose.
This guarantee is in addition to your statutory rights and is subject to the following conditions:

- The guarantee applies solely to the original installation under normal use and to the original purchaser only. The product must be installed and maintained in accordance with the instructions given in this user guide.
 - Servicing must only be undertaken by us or our appointed representative. **Note!** If a service visit is required the product must be fully installed and connected to services.
 - Repair under this guarantee does not extend the original expiry date. The guarantee on any replacement parts or product ends at the original expiry date.
 - For shower fittings or consumable items we reserve the right to supply replacement parts only.
- The guarantee does not cover:**
- Call out charges for non product faults (such as damage or performance issues arising from incorrect installation, improper use, inappropriate cleaning, lack of maintenance, build up of limescale, frost damage, corrosion, system debris or blocked filters) or where no fault has been found with the product.
 - Water or electrical supply, waste and isolation issues.
 - Compensation for loss of use of the product or consequential loss of any kind.
 - Damage or defects caused if the product is repaired or modified by persons not authorised by us or our appointed representative.
 - Routine maintenance or replacement parts to comply with the requirements of the TMV 2 or TMV 3 healthcare schemes.
 - Accidental or wilful damage.
 - Products purchased ex-showroom display.

What to do if something goes wrong

If your product does not work correctly refer to this manual for fault diagnosis and check that it is installed and commissioned in accordance with our instructions.
If this does not resolve the issue, contact us for help and advice.
Extended Guarantees
A selection of protection plans are available that enable you to cover repair bills (excludes Eire). Ring 01922 471763 for more details.

Helpdesk Service - Ring our Customer Services Team for product advice, to purchase spare parts or accessories or to set up service visit. You can contact us via phone or e-mail, details below. Please provide your model name, power rating (if applicable) and date of purchase.

Mira Showers Website (www.mirashowers.co.uk)
Visit our website to register your guarantee, download user guides, diagnose faults, purchase our full range of accessories and popular spares, or request a service visit.

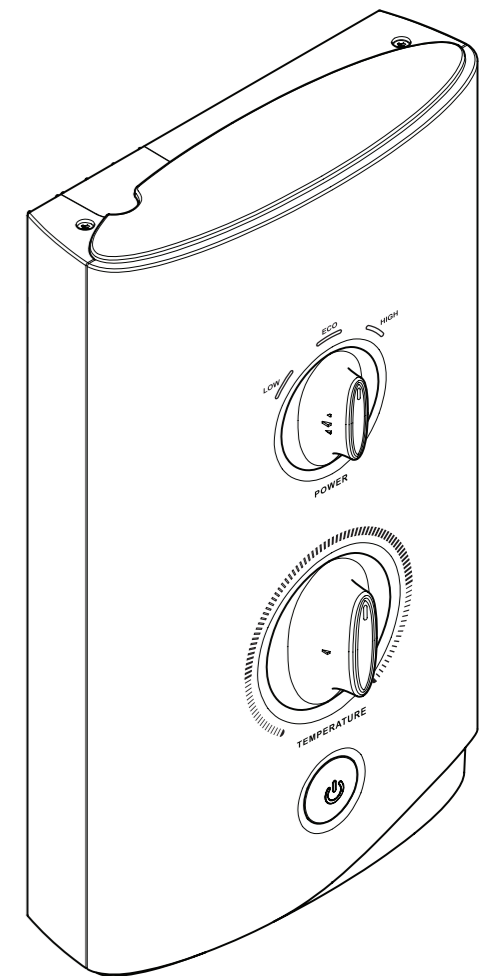
Spares and Accessories - We hold the largest stocks of genuine Mira spares and accessories. Contact us for a price or visit our website to purchase items from our accessory range and popular spares.

Service/Repairs - No one knows our products better than our nationwide team of Service Technicians. We can carry out service or repair work to your product both during and after the guarantee period. Ask about our fixed price service repairs.

To Contact Us

- 0844 571 5000**
Fax: 01 242 282595
E-mail: Visit www.mirashowers.co.uk/contactus
Mira Customer Services Dept, Cromwell Road, Cheltenham, Gloucestershire, GL52 5EP
- To Contact Us: Eire Only**
01 459 1344
Fax: Dublin 01 459 2329
E-mail: sales@modernplant.ie
Modern Plant Ltd (Dublin), Otter House, Naas Road, Clondalkin, Dublin 22

Mira Sport
7.5, 9.0, 9.8 & 10.8 kW



Mira is a registered trade mark of Kohler Mira Limited.
The company reserves the right to alter product specifications without notice.
BSI FM 14648
mira SHOWERS
1175283-W2-D © Kohler Mira Limited, December 2012

Installation Guide
Showering perfection
mira SHOWERS

mira
SHOWERS
For SPARES, ADVICE or REPAIRS
Please call us on **0844 571 5000**
(UK Only)

INTRODUCTION

Thank you for purchasing a quality Mira Sport Electric Shower. To enjoy the full potential of your new shower, please take time to read this guide thoroughly, and keep it handy for future reference.

Products manufactured by Kohler Mira Ltd are designed to be safe provided, that they are installed used and maintained in good working order, in accordance with our instructions and recommendations.

Follow all warnings, cautions and instructions contained in this guide, and on or inside the shower.

Mira Sport electric showers have separate controls for power selection and for temperature/flow adjustment. A unique flow regulator stabilises any temperature changes caused by water pressure fluctuations, which can result from taps being turned on or off or toilets being flushed.

When this shower has reached the end of its serviceable life, it should be disposed of in a safe manner, in accordance with current local authority recycling, or waste disposal policy.

Mira Sport models covered by this guide:

Product	Model Number	Colour
Mira Sport 7.5 kW	J03A	White/Chrome
Mira Sport 9.0 kW	J03B	White/Chrome
Mira Sport 9.8 kW	J03C	White/Chrome
Mira Sport 10.8 kW	J03D	White/Chrome

Guarantee

This product has been designed for domestic use only, Mira Showers guarantee this product against any defect in materials or workmanship for a period of two years from the date of purchase (shower fittings for one year).

For terms and conditions, refer to the back cover of this guide.

Patents and Design Registration

Design Registration:	001259 287-0002, 001259 287-0005
Patents:	GB 2 341 667, 2 427 460 Ireland 82835
Patent Application:	Ireland: 2006/0462

IMPORTANT SAFETY INFORMATION

WARNING - This shower can deliver scalding temperatures if not operated, installed or maintained in accordance with the instructions, warnings and cautions contained in this guide and on or inside the appliance.

TO REDUCE THE RISK OF FIRE, ELECTRIC SHOCK OR INJURY:

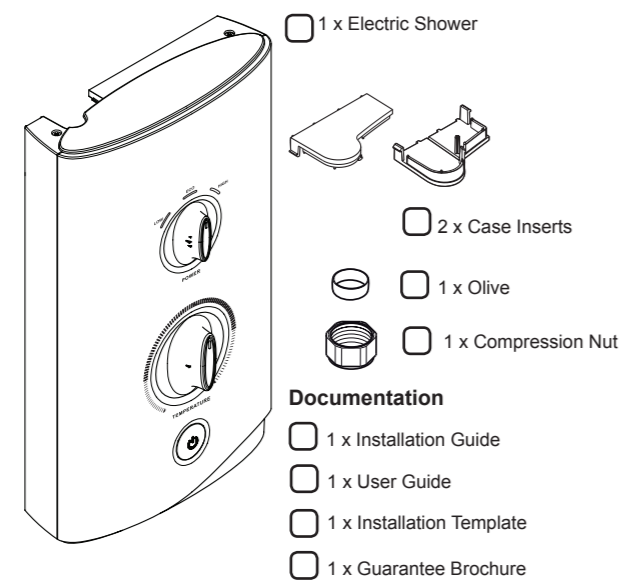
- Installation of this shower must be carried out in accordance with these instructions by qualified, competent personnel.
- Isolate the electrical and water supplies before commencing installation. The electricity must be isolated at the consumer unit and the appropriate circuit fuse removed, if applicable. Mains connections are exposed when the cover is removed.
- DO NOT** install the shower in areas with high humidity and temperature (i.e. steam rooms and saunas).
- DO NOT** install the shower where it may be exposed to freezing conditions. Ensure that any pipework that could become frozen is properly insulated.
- DO NOT** switch the shower on if there is a possibility that the water in the shower is frozen.
- DO NOT** switch the shower on if water starts leaking from the shower case. Isolate the electrical supply to the shower immediately.
- DO NOT** connect the outlet of the shower to any tap, control valve, trigger handset or showerhead other than those specified for use with this shower. Only Kohler Mira recommended accessories should be used.
- The water supplies to this product must be isolated if the product is not to be used for a long period of time. If the product or pipework is at risk of freezing during this period they should also be drained of water.
- DO NOT** perform any unspecified modifications to the shower or its accessories. When servicing only use genuine Kohler Mira replacement parts.

- If the shower is dismantled during installation or servicing then upon completion the product must be inspected to ensure all electrical connections are tight and that there are no leaks.

- Read all installation instructions before installing this shower.

- Upon completion of the installation, make sure that the user is familiar with the operation of the shower, and leave this guide and the user guide with the owner.

PACK CONTENTS



SPECIFICATION

Plumbing	Variant			
	7.5	9.0	9.8	10.8
Minimum Dynamic Pressure	70 kPa (0.7 bar)	70 kPa (0.7 bar)	70 kPa (0.7 bar)	100 kPa (1.0 bar)
Maximum Dynamic Pressure*	500 kPa (5.0 bar)			
Maximum Static Pressure*	1000 kPa (10 bar)			
Minimum Static Pressure	20 kPa (0.2 bar)			
Maximum Inlet Temperature	30°C			
Minimum Inlet Temperature	2°C			
Inlet Connection	15 mm Compression/1/2" BSP Male			
Maximum Water Hardness	200 ppm CaCO ₃			
Outlet Connection	1/2" BSP Male			

*A drop tight pressure reducing valve should be installed where dynamic or static pressure exceeds the figure stated in the Specifications.

Electrical	Variant			
	7.5	9.0	9.8	10.8
Nominal Power at 240 V ac	7.5 kW	9.0 kW	9.8 kW	10.8 kW
Nominal Power at 230 V ac	6.9 kW	8.3 kW	9.0 kW	9.9 kW
Recommended MCB Rating	32 A	40A	45A	45A
Maximum Supply Cable Size	16 mm ²			
Recommended RCD Rating	30 mA tripping current			
Recommended Isolator Switch	45 A double-pole with 3 mm contact separation			
Appliance Sealing Rating	IP X4 - Suitable for installation in Zone 1			
Maximum Ambient Temperature	30°C			
Minimum Ambient Temperature	2°C			

Dimensions	
Height	358 mm
Width	215 mm
Depth	90 mm

European Conformity Information

The Mira Sport range of showers complies with the following European directives:

2006/95/EC Low Voltage Directive, 2004/108/EC EMC Directive.

The Mira Sport range of showers are high power appliances and are subject to conditional connection. If the main electrical supply fuse is rated less than 80 Amps, the local electricity supply company must be contacted to confirm if the electrical supply is adequate.

The Mira Sport range of showers complies with the requirements of the UK's water regulations.

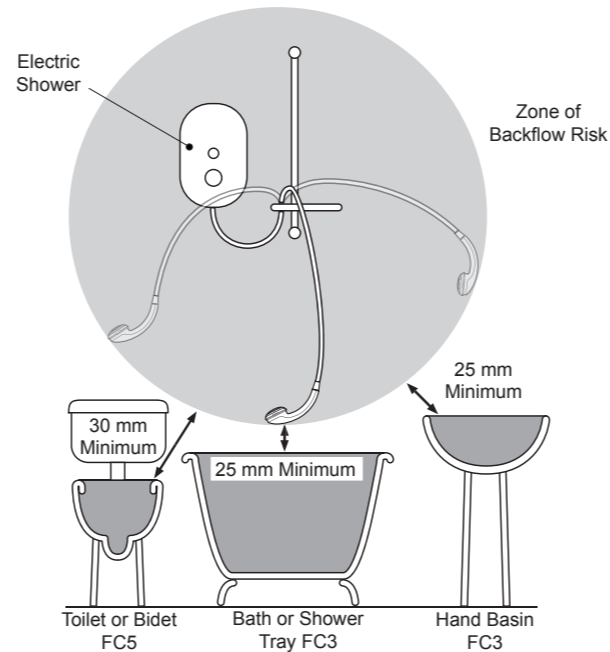
INSTALLATION REQUIREMENTS

Please read the Important Safety Information and specifications sections at the front of this guide, and the requirements detailed in this section before installing the shower.

WARNING - TO REDUCE THE RISK OF FIRE, ELECTRIC SHOCK OR INJURY.

Plumbing

- The plumbing installation must comply with all national or local water regulations and all relevant building regulations, or any particular regulation or practice specified by the local water supply company.
- Do not install the product in a position in which service access is limited.
- Decide on a suitable position for the shower (minimum distance of 200 mm from the ceiling to allow for cover fit and removal).
- The position of the shower and shower fittings must provide a minimum gap of 25 mm between the showerhead and the spill over level of any bath, shower tray or basin and a minimum gap of 30 mm between the showerhead and the spill over level of any toilet, bidet or other appliance with a Fluid Category 5 backflow risk (see diagram on next page).
- The shower is suitable for installation within the shower area and is fitted with a pressure relief valve. It must be positioned over a water catchment area with the controls at a convenient height for the user.
- The shower must be fitted to a waterproof flat and even wall surface.
- DO NOT** fit the shower to the wall and tile up to the case.
- DO NOT** seal the gap between the shower and the wall surface.
- The showerhead should be positioned so that it discharges down the centre line of the bath or across the opening of a shower cubicle.
- The showerhead must be directed away from the shower unit, during normal use the showerhead must not spray directly on to the shower unit.
- DO NOT** apply excessive force to plumbing connections; always provide mechanical support when making plumbing connections. Any soldered joints should be made before connecting the shower.
- This shower is not designed to be plumbed directly from the rear. For rear-entry supply, add an elbow to the supply pipe and connect as a rising or a falling supply.
- If pipework and/or electrical cables enter the shower from the rear through a hole in the wall provision must be made to prevent water ingress back into the wall structure.
- Only use the inlet connector supplied with the shower. **DO NOT** use any other type of fitting.
- A full bore/non restrictive servicing valve must be fitted in a readily accessible position adjacent to the shower to facilitate maintenance of the shower. **DO NOT** use a valve with a loose washer plate (jumper) as this can lead to a build up of static pressure.
- A water treatment device should be installed where the water hardness may exceed 200 ppm. Malfunctions caused by excessive limescale formation are not covered by this shower's guarantee (see back page for details).
- The installation must not cause the hose to be sharply kinked during normal use.
- DO NOT** perform the electrical installation until the plumbing has been completed and checked for leaks.
- Wall fixings are not supplied.** For solid wall structures a red raw plug and a no. 8 x 1½" countersunk brass or stainless steel screw should be used. For other wall structures such as panels alternative fixings may be required. A minimum of 3 fixing screws should be used.



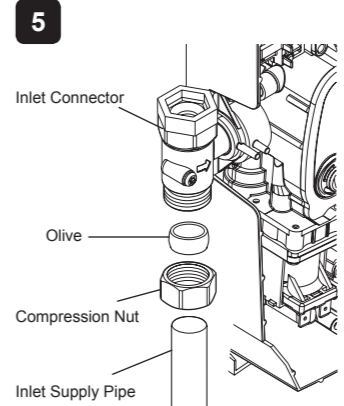
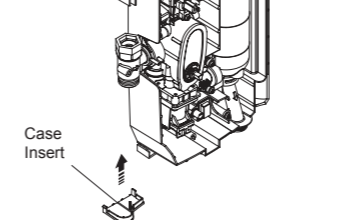
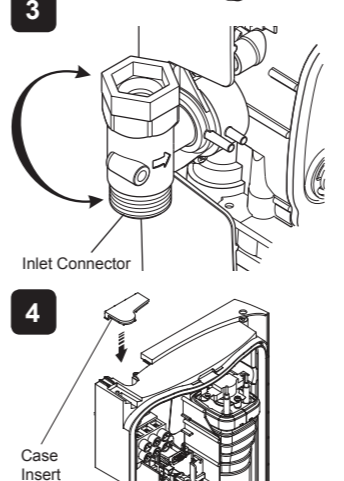
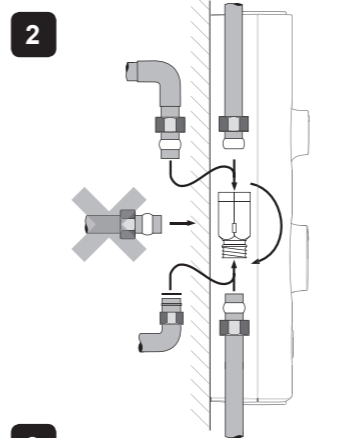
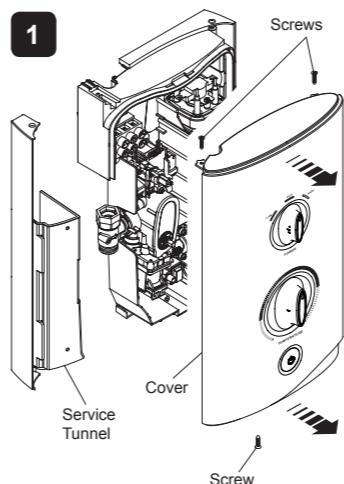
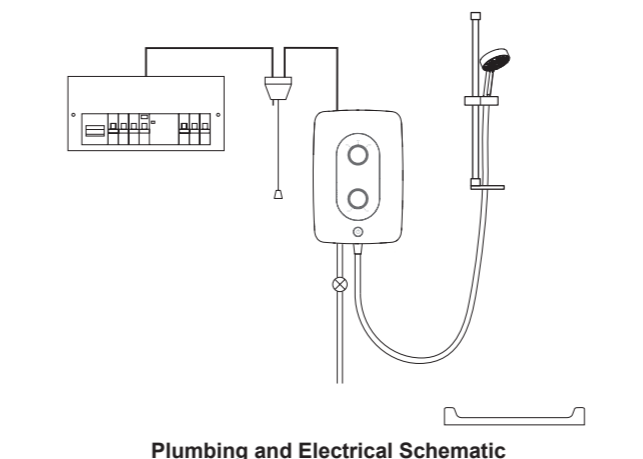
Hose Retaining Ring fitted and shower fittings fixed at a suitable height preventing dirty water backflow.

Note! There will be occasions when the hose retaining ring will not provide a suitable solution for Fluid Category 3 installations, in these instances an outlet double checkvalve must be fitted, this will increase the required supply pressure typically by 10kPa (0.1 bar). Double checkvalves fitted in the inlet supply to the appliance cause a pressure build up, which affect the maximum static inlet pressure for the appliance and must not be fitted. For Fluid category 5 double checkvalves are not suitable.

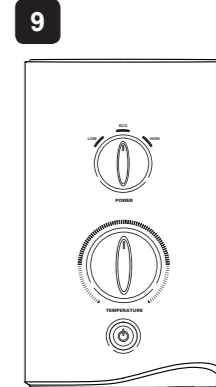
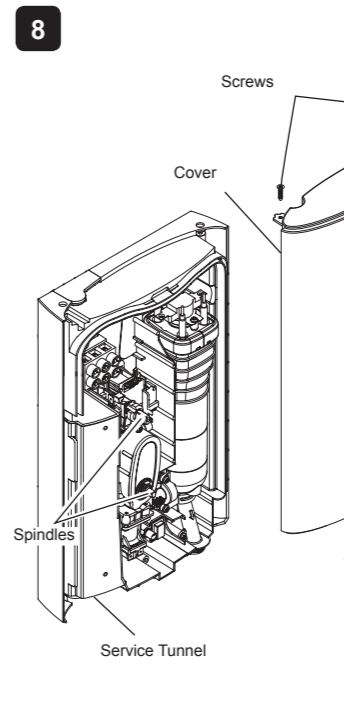
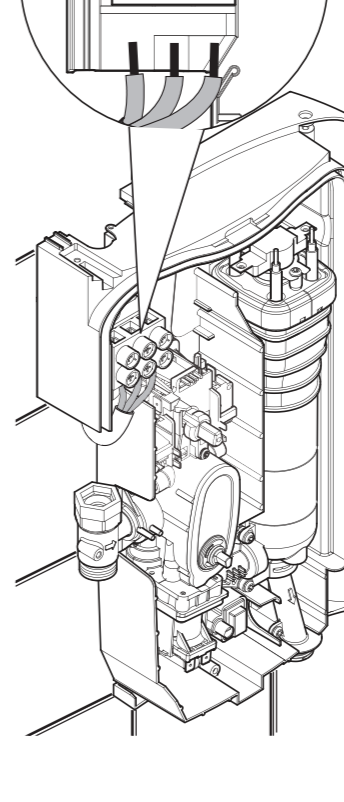
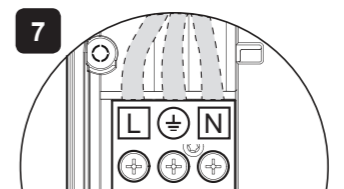
WARNING - TO REDUCE THE RISK OF FIRE, ELECTRIC SHOCK OR INJURY.

Electrical

- The electrical installation must comply with BS 7671 (commonly referred to as the IEE Wiring Regulations) and all relevant building regulations, or any particular regulation or practice specified by the local electricity supply company.
- Ensure that all circuit protection devices, switches and cabling is adequate for the rated current of the shower and that the rating of the electricity supply company fuse and the consumer unit are adequate for the additional demand.
- The shower **must** be earthed. Ensure any supplementary bonding complies with the relevant regulations.
- This shower is intended to be permanently connected to the fixed electrical wiring of the mains system. A separate supply **must** be provided from the consumer unit to the shower.
- DO NOT** supply any other electrical equipment including extractor fans or pumps via this product.
- This shower must be provided with means for local disconnection that is incorporated into the fixed wiring in accordance with the relevant local wiring regulations. This **must** be a double pole switch, which has at least 3 mm contact separation in each pole. The switch can be a ceiling mounted pull-cord type within the shower room or a wall mounted switch fitted in the applicable zone area.
- A 30mA Residual Current Device (RCD) is recommended to be incorporated into the electrical supply to this shower in accordance with wiring regulations.
- DO NOT** apply excessive force to the terminal block.
- All electrical connections should be checked for tightness to prevent overheating before switching on the electrical supply.
- DO NOT** switch on the electrical supply until the plumbing has been completed and checked for leaks.



6. Turn on the water supply and check for leaks.



Do not use alternative screws to secure the cover. This can cause internal damage to the appliance.

Do not seal around the back of appliance.

This completes the installation, follow the guidelines in section 'COMMISSIONING' to prepare the shower for use.

Install the shower fittings (Refer to the Shower Fittings Installation and User Guide packed with the product).

COMMISSIONING

